

# **MSD<sup>TM</sup>** **IGNITION** **INSTALLATION INSTRUCTIONS**

## **MSD Blaster GM Dual Connector Coil PN 8226**

**IMPORTANT:** Read Instructions before attempting the installation.

### **Parts Included:**

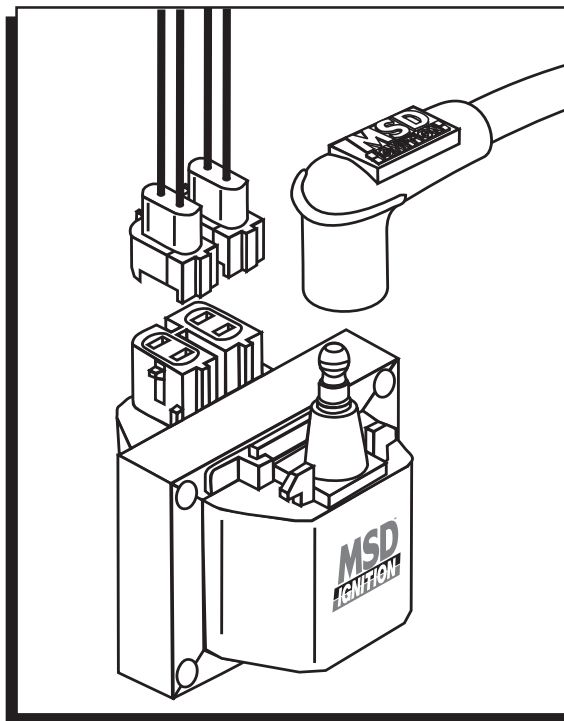
1 - Blaster GM Dual Connector Coil  
4 - Mounting Bolts and Nuts

2 - Mounting Adapters  
2 - Socket Head Cap Screws and Lock Nuts

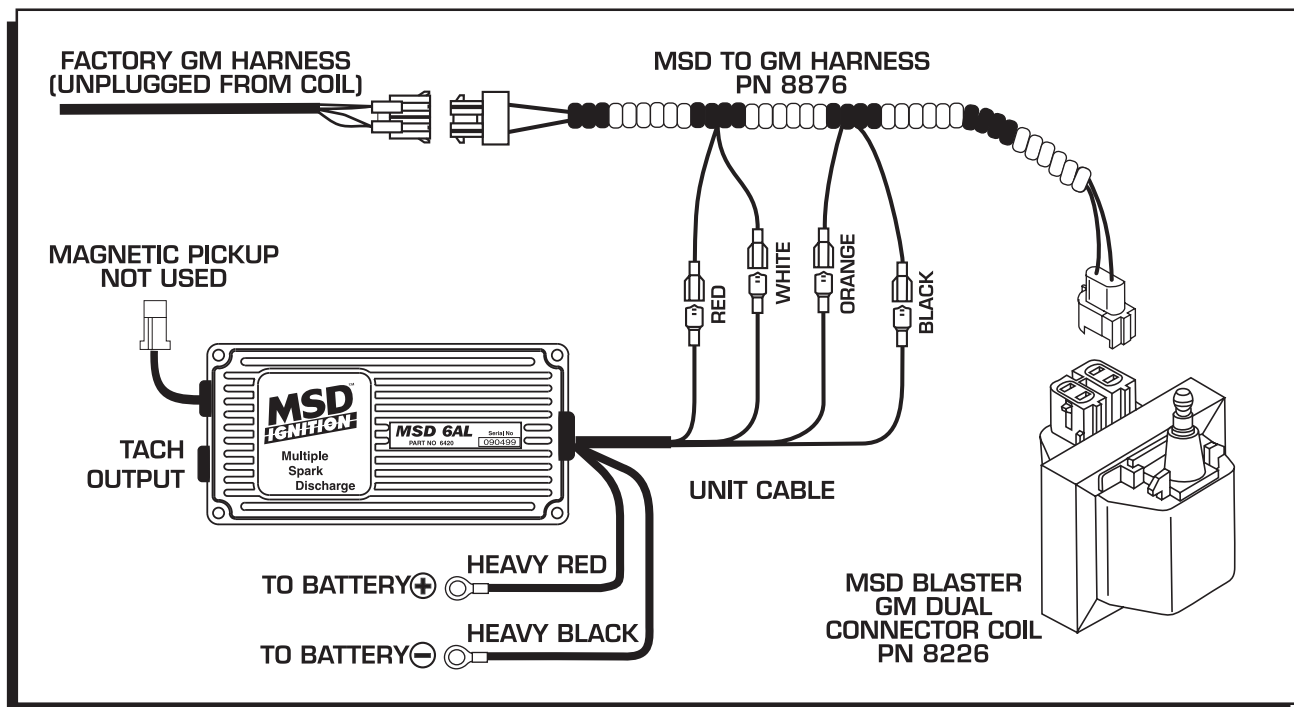
**WARNING:** During installation, disconnect the battery cables. When disconnecting the battery, always remove the Negative cable first and install it last.

The MSD Blaster GM Coil is designed to produce increased voltage and energy over the stock GM Coil. To get even more ignition performance, install an MSD Ignition Control with a PN 8876 Harness for a direct plug-in installation.

1. Disconnect the stock coil connectors and the spark plug wire.
2. Remove the factory coil. It may be necessary to remove the factory coil bracket to drill the rivets out to remove the stock coil.
3. Install the MSD GM Coil and mount it with the supplied hardware.
4. Plug in the wiring connectors and the coil wire.



**Figure 1** Installing the MSD Blaster GM Dual Connector Coil.



**Figure 2 Installation of an MSD 6 Series Ignition, PN 8876 Harness and Coil.**

### Service

In case of malfunction, this MSD component will be repaired free of charge according to the terms of the warranty. When returning MSD components for service, Proof of Purchase must be supplied for warranty verification. After the warranty period has expired, repair service is charged based on a minimum and maximum charge.

Send the unit prepaid with proof of purchase to the attention of: **Customer Service Department, Autotronic Controls Corporation, 12120 Esther Lama, Suite 114, El Paso, Texas 79936.**

When returning the unit for repair, leave all wires at the length in which you have them installed. Be sure to include a detailed account of any problems experienced, and what components and accessories are installed on the vehicle.

The repaired unit will be returned as soon as possible after receipt, COD for any charges. (Ground shipping is covered by warranty). All units are returned regular UPS unless otherwise noted. For more information, call the MSD Customer Service Line (915) 855-7123. MSD technicians are available from 8:00 a.m. to 5:00 p.m. Monday - Friday (mountain time).

### Limited Warranty

Autotronic Controls Corporation warrants MSD Ignition products to be free from defects in material and workmanship under normal use and if properly installed for a period of one year from date of purchase. If found to be defective as mentioned above, it will be replaced or repaired if returned prepaid along with proof of date of purchase. This shall constitute the sole remedy of the purchaser and the sole liability of Autotronic Controls Corporation. To the extent permitted by law, the foregoing is exclusive and in lieu of all other warranties or representations whether expressed or implied, including any implied warranty of merchantability or fitness. In no event shall Autotronic Controls Corporation be liable for special or consequential damages.