

MSD Blaster SS Coil PN 8207

IMPORTANT: Read Instructions before attempting the installation.

Parts Included:

1 - Blaster SS Coil, PN 8207	1 - 90° MSD Spark Plug Boot
3 - Vibration Mounts and Hardware	1 - 90° Dual Crimp Terminal
2 - Male Faston Connectors	

WARNING: During installation, disconnect the battery cables. When disconnecting the battery, always remove the Negative cable first and install it last.

Note: If installing the Blaster SS Coil to a points distributor or a non-current limiting ignition system without an MSD Ignition, a 0.8 ohm ballast resistor is required (MSD PN 8214). The resistor should wire in series along with any factory resistors on the positive coil wire.

1. Find a suitable mounting location for the coil. It can be mounted in any position as long as it is away from direct engine heat sources.
2. Use the coil as a template and mark the mounting holes using a punch.
3. Using a 3/16" drill bit, drill the three holes to mount the coil.
4. Install the vibration mounts and mount the coil.
5. Install the Faston connectors to the coil terminals. Connect the coil wires from the MSD or stock ignition and the secondary coil wire.

MSD 6 or 7 Series Ignition Control

The Orange wire connects to the coil positive terminal and the Black connects to the coil negative terminal. These are the only two wires that connect to the coil terminals.

MSD 5 or Blaster Ignition

The Red wire connects to coil positive and the Orange connects to coil negative.

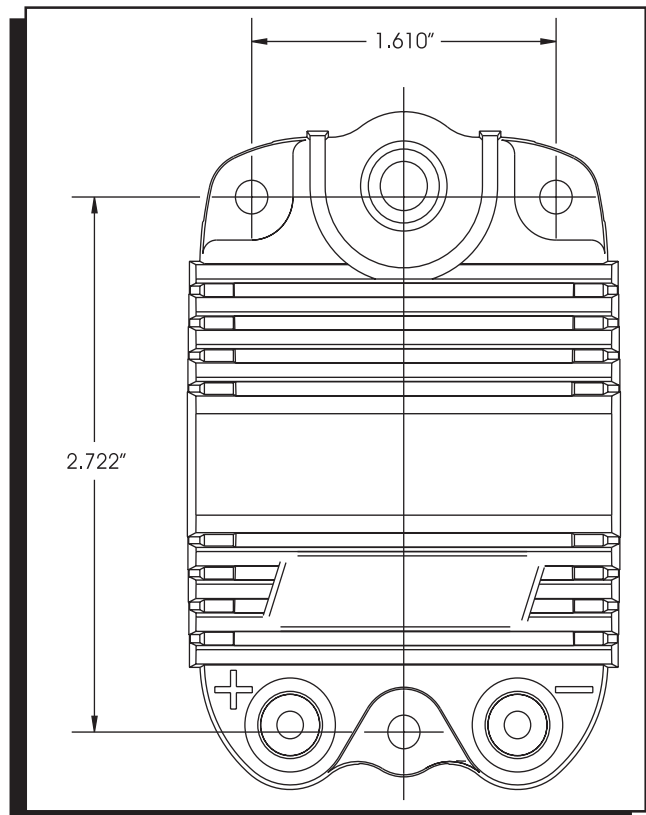


Figure 1 Mounting Template.

WARNING: The Blaster SS and MSD Ignition Controls produce very high voltages. Never short the battery or coil terminals. Use caution during installation and while working near the ignition or coil.

CRIMPING

If you need to change your coil wire to match the terminal of the Blaster SS, you will need to carefully strip your wire and follow the steps to properly crimp the MSD Dual Crimp Terminal (Figure 2).

1. Carefully strip about 3/8" of your coil wire's sleeve. Use extreme care not to touch the conductor.
2. Crimp the spark plug wire into the large tabs using needlenose pliers. Do not over-crimp or cause the sleeve to tear.
3. Position the conductor between the smaller crimp tabs then crimp the tabs over the conductor using the needlenose pliers. It is recommended to check the resistance of the finished wire to confirm that the wire crimp is in good condition.

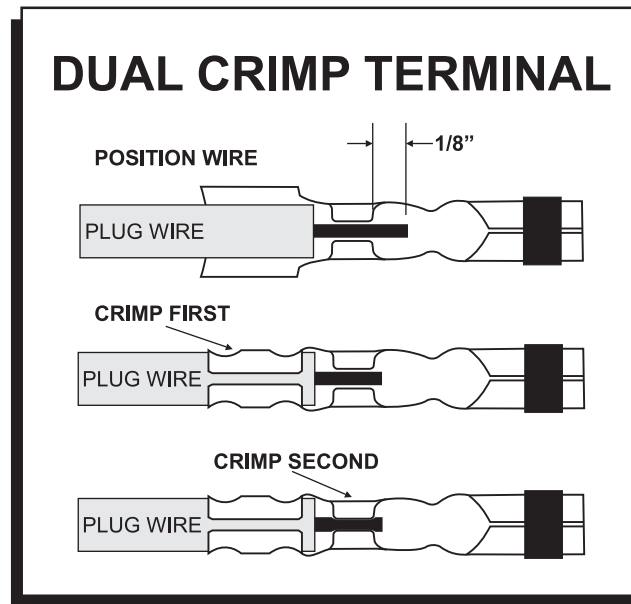


Figure 2 Crimping a Dual Crimp Terminal.

Service

In case of malfunction, this MSD component will be repaired free of charge according to the terms of the warranty. When returning MSD components for service, Proof of Purchase must be supplied for warranty verification. After the warranty period has expired, repair service is charged based on a minimum and maximum charge.

Send the unit prepaid with proof of purchase to the attention of: **Customer Service Department, Autotronic Controls Corporation, 12120 Esther Lama, Suite 114, El Paso, Texas 79936.**

When returning the unit for repair, leave all wires at the length in which you have them installed. Be sure to include a detailed account of any problems experienced, and what components and accessories are installed on the vehicle.

The repaired unit will be returned as soon as possible after receipt, COD for any charges. (Ground shipping is covered by warranty). All units are returned regular UPS unless otherwise noted. For more information, call the MSD Customer Service Line (915) 855-7123. MSD technicians are available from 8:00 a.m. to 5:00 p.m. Monday - Friday (mountain time).

Limited Warranty

Autotronic Controls Corporation warrants MSD Ignition products to be free from defects in material and workmanship under normal use and if properly installed for a period of one year from date of purchase. If found to be defective as mentioned above, it will be replaced or repaired if returned prepaid along with proof of date of purchase. This shall constitute the sole remedy of the purchaser and the sole liability of Autotronic Controls Corporation. To the extent permitted by law, the foregoing is exclusive and in lieu of all other warranties or representations whether expressed or implied, including any implied warranty of merchantability or fitness. In no event shall Autotronic Controls Corporation be liable for special or consequential damages.